

300G4/300G5 SERIES QUICK-REFERENCE MAINTENANCE SCHEDULE



See Operator's Manual for details on specific model in use.

Turn off engine & remove key prior to servicing unit. Replace all safety shielding removed during service procedures prior to operating machine.

Do Not Over Grease

Excessive lubricant increases load on bearings and causes overheating.

Wipe off excess grease as it works like a magnet to attract particles.

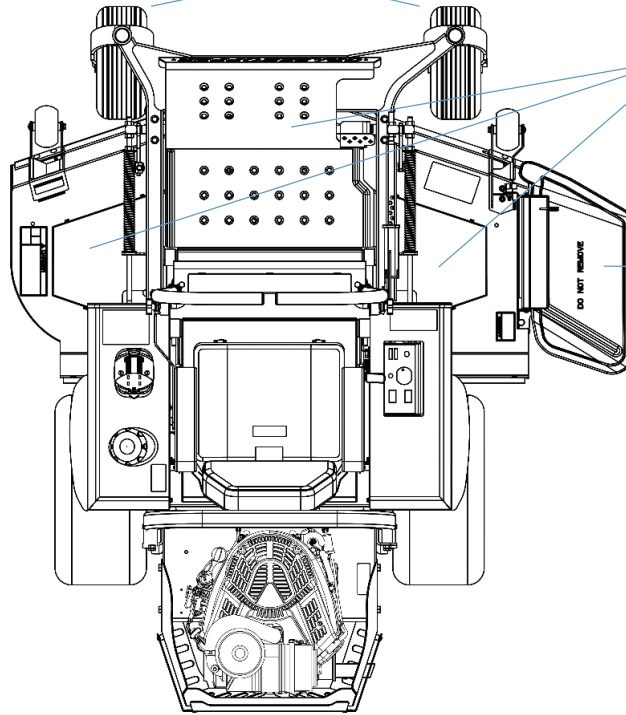
A normal grease application is 1 to 2 strokes, slowly applied. However, spindle bearings may require 3 to 5 strokes each time – apply grease until slight resistance is felt.

Inspect deck belts every 100 hours for wear; and proper spring tension on idler; consult manual.

Inspect drive belt every 100 hours. Idler is self-tensioning with torsion spring.

Front Wheel Bearings

Grease every 8 hours



Blade Spindles Spindles with grease zerks: Grease every 300 hours or semi-annually.

To grease, remove cone to expose relief valve hole; apply grease until grease escapes from relief valve hole, normally 3 to 5 strokes.

Keep discharge shield in working position.

Check tire pressures daily

(Refer to decals on rims)

G4 - Turf drive tires: 9 psi

G5 - Turf drive tires: 6 psi

Front tires: 12 psi

Check Operator Presence System

before each operation. Engine shut-off switches are in seat, levers, parking brake and PTO switch.

Use Battery Minder if unit is to sit idle more than 30 days. (Remove Battery Minder before using battery charger on low or dead battery; and always use slow charge setting to avoid damaging battery plates.)

Use **Grasshopper Premium Twin-Fiber Homogenized Tire Sealant** to prevent small leaks. Part # 345020 (32 oz.)

Clean Often With Air

Do not use high pressure water or steam to clean engine or drive compartment. Water and cleaning detergent forced into switches and electrical connections may cause rust and corrosion, possibly leading to component and safety circuit failure.

Use low pressure compressed air, vacuum cleaner or leaf blower to remove foreign material from the engine and drive compartment.

300G4 Series Hydro-Gear ZT-4400 transmissions: Change fluid and filter after break-in period of 100 hours, then every 600 hours. Use replacement filter no. 130205 (one on each transmission) and 4 qts (3.78 L) per transmission of CoolTemp Hydro-Max™ fluid part # 345044 (qt); #345046 (2-gal.). Follow procedure outlined in owner's manual.

300G5 Series Hydro-Gear ZT-5400 transmissions: Change fluid and filter after break-in period of 100 hours, then every 600 hours. Use replacement filter no. 130206 (one on each transmission) and 5 qts. (4.73 L) per transmission of CoolTemp Hydro-Max™ fluid part # 345044 (qt); #345046 (2-gal.). Follow procedure outlined in owner's manual.

Use OEM parts, especially belts, blades and filters. OEM parts are engineered to work in conjunction with the specific system for which they are designed. If aftermarket parts fail to protect the equipment, more will be spent on repairs than what is saved on cheaper parts and they may void warranty.



The Grasshopper Company • 105 Old U.S. Highway 81
P.O. Box 637 • Moundridge, KS • 67107 U.S.A.
T: **620-345-8621** • grasshoppermower.com

